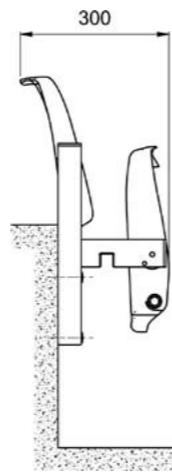
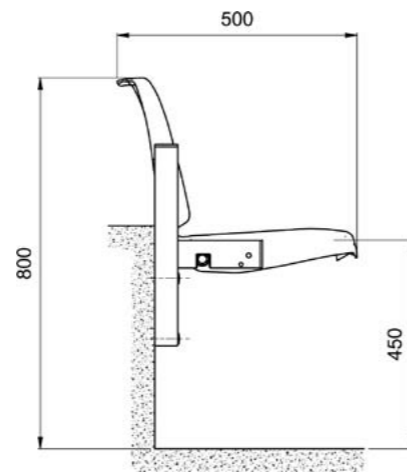
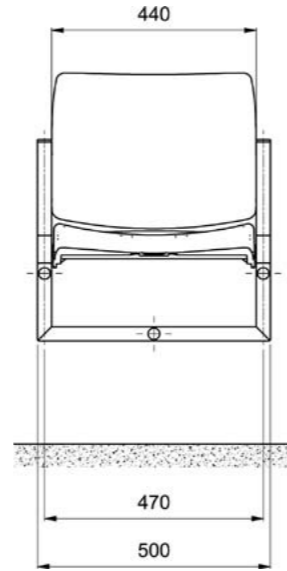


G2007/S



STRUCTURE

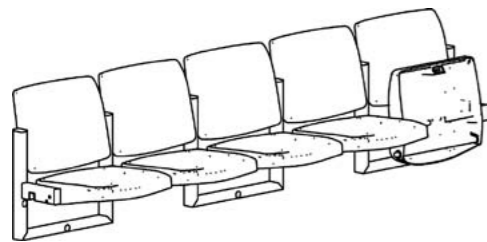
Single tip-up seat for wall installation, ergonomically designed for the utmost comfort for sport events' spectators.

Self-bearing seat and backrest in gas injected moulded thermoplastic, without metal inserts or sharp corners, and with rounded edges.

Gravity fold-down seat, with stop mechanism.

Load-bearing rectangular section steel tubing, for modular sets, suitable for installation on curved terraces.

INSTALLATION



TECHNICAL SPECIFICATIONS

Material	Copolymer masterbatch mass coloured polypropylene		
Finish	Smooth, semi-gloss finish, UV stabilised		
Fixing	3 fixing points per seat for riser installation		
Numbering	Non-removable number plate		
Installation	The minimum dimensions of the installation centre distance must conform to regulations in force		
Available versions	The metal structure may be adapted for installation on any type of step		
Accessories	Armrest - cupholder - padded panels for the seat and backrest		

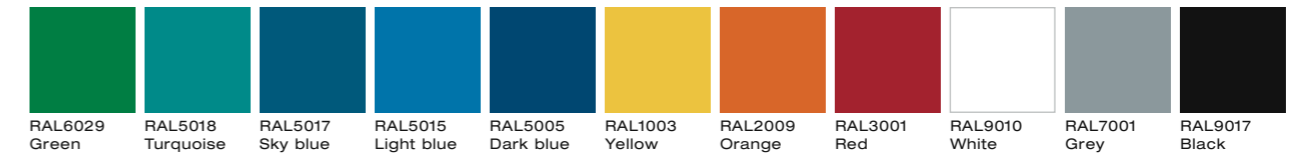
Certification	Standard	Class	Level
Fire resistance*	Italian CLASSE 1 Italia (DM 26/6/84 e DM 3/10/2002)	1	=
	French NFP92-501	M 2	=
	English BS5852	CRIB5	=
Resistance and durability	EN 13200 - 4 : 2007	=	4
Testing methods	EN 12727	=	4
Mechanical strength	ANSI BIFMA	=	X5.1-2002/11

Conformity

FIFA and UEFA standards	EN 13200 - 4 : 2007	=	=
--------------------------------	---------------------	---	---

*Certifications referred only to fire-resitant product version.

VENELLI SEATING



The colors are approximate. Actual colors of the products may vary slightly.

DIFFERENT VERSIONS

