

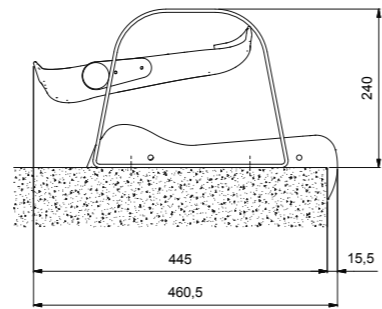
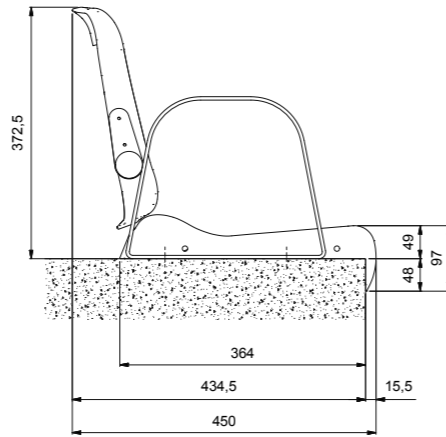
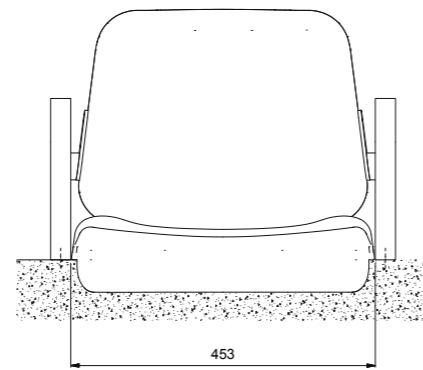
# ICE 2006 T



## STRUCTURE

Multipurpose seat with high backrest for indoor use. Seat and backrest in single piece injection moulded thermoplastic without metal inserts. Fold-down backrest for telescopic stands with structure featuring an armrest and articulated joint.

Certification Reaction to fire class 1 (ONE)  
Code CO607D30D00008



## TECHNICAL SPECIFICATIONS

<b>Material</b>	Clear natural or clear coloured copolyester
<b>Finish</b>	Smooth, gloss finish, UV stabilised
<b>Fixing</b>	4 fixing points for installation on concrete steps or other types of surfaces. Fold-down backrest for telescopic stands with structure featuring an armrest and articulated joint
<b>Unmovable</b>	The seat rests along the entire edge, with the front flush fitted with the edge of the step. This means seats cannot be lifted up, and stops vandalism
<b>Numbering</b>	Adhesive numbering plate
<b>Installation</b>	The minimum distance between installation centres must conform to regulations in force
<b>Available versions</b>	Supports with metal structure to install the seats at facilities without steps, or on non-standard steps

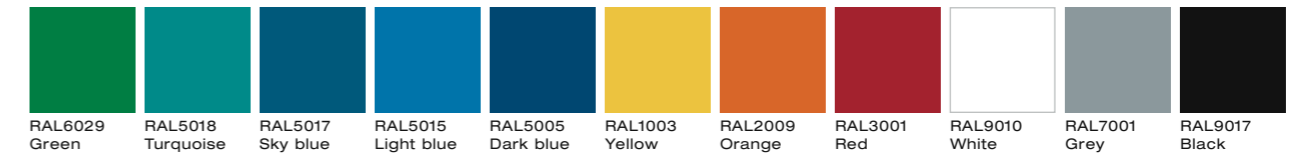
Certification	Standard	Class	Level
<b>Fire resistance*</b>	Italian CLASSE 1 Italia (DM 26/6/84 e DM 3/10/2002)	1	=
<b>Resistance and durability</b>	EN 13200 - 4 : 2007	=	4
<b>Testing methods</b>	EN 12727	=	4

### Conformity

<b>FIFA and UEFA standards</b>	EN 13200 - 4 : 2007	=	=
--------------------------------	---------------------	---	---

\*Certifications referred only to fire-resitant product version.

### VENELLI SEATING



The colors are approximate. Actual colors of the products may vary slightly.

