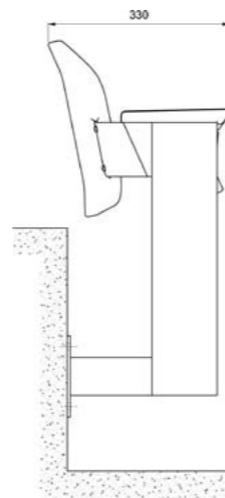
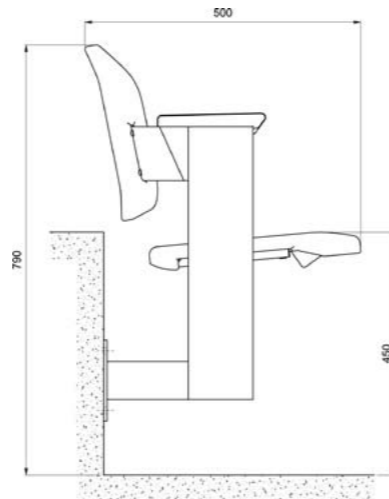
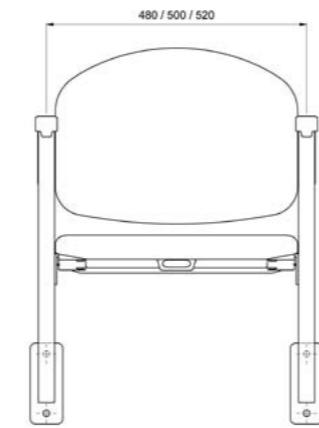


# NOVANTA/4 COLLECTIVA



## STRUCTURE

Seating system for sporting and public events

- Sides in rectangular steel tube measuring 120 x 30 x 2 mm - feet in reinforced moulded thermoplastic or with 6 mm thick steel plate welded to the side.
- Fixed to the ground or wall with two screw anchors and bolts for each foot.
- Backrest support in steel plate welded to the side.
- Seat and backrest in blown moulded thermoplastic, in the following versions: with UV protection only, or self-extinguishing with UV ray protection.
- Seat support with rotating pins with locking mechanism; gravity fold-down system with self-lubricating rotation device in moulded reinforced thermoplastic.
- Armrest in moulded thermoplastic, secured to the side with self-tapping screws.
- Seat numbering with alphanumeric characters, in thermoplastic, slot inserted in the seat.
- Row numbering with alphanumeric characters riveted to the side.
- Writing tablet in black plastic laminate, with gravity, anti-panic fold away system.
- Side cupholder.
- Removable upholstery (with or without seat numbering slot), in fire retardant fabric, attached by velcro.

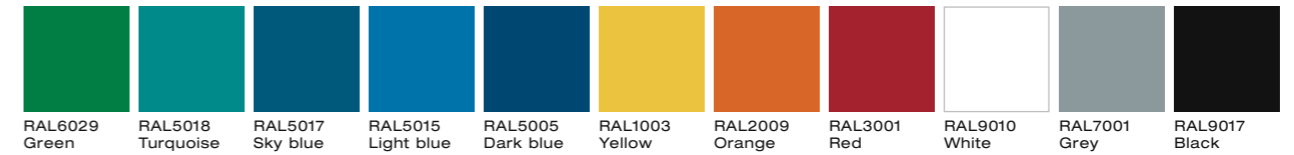
## TECHNICAL SPECIFICATIONS

<b>Material</b>	Copolymer masterbatch mass coloured polypropylene
<b>Finish</b>	Silk-screen printed, semi-matt finish, UV stabilised
<b>Fixing</b>	2 fixing points for each side for floor and/or wall installation
<b>Numbering</b>	Non-removable number plate
<b>Installation</b>	The minimum dimensions of the installation centre distance must conform to regulations in force
<b>Available versions</b>	The metal structure may be adapted for installation on any type of step

Certification	Standard	Class	Level
<b>Fire resistance*</b>	Italian CLASSE 1 Italia (DM 26/6/84 e DM 3/10/2002)	1	=
	French NFP92-501	M 2	=
<b>Resistance and durability</b>	EN 13200 - 4 : 2007	=	4
<b>Testing methods</b>	EN 12727	=	4
<b>Conformity</b>			
<b>FIFA and UEFA standards</b>	EN 13200 - 4 : 2007	=	=

\*Certifications referred only to fire-resitant product version.

### VENELLI SEATING



The colors are approximate. Actual colors of the products may vary slightly.

### DIFFERENT VERSIONS



Novanta/4 Collectiva with padded panels for seat and backrest



Novanta/4 Collectiva upholstered in fabric or synthetic leather



Novanta/4 Collectiva wood version

