

General Transport Trolley

AV120 - AV125



The general transport trolley consists of a metal structure that supports an MDF board.

It is provided with 4 nylon wheels which facilitate its movement. The rear wheels are fixed, the front wheels are connected to the steering mechanism.

All metal elements such as bolts, shafts, etc. are zinc-coated.

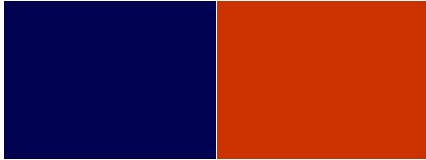
After a degreasing treatment, consisting of a pressured phosphate bath, the structure is painted with polyester powder paint and polymerized at 200° C in an oven.

VARIANTS

General Transport Trolley manual traction AV120

General Transport Trolley mechanical traction AV125

STANDARD COLOR RANGE



BLUE

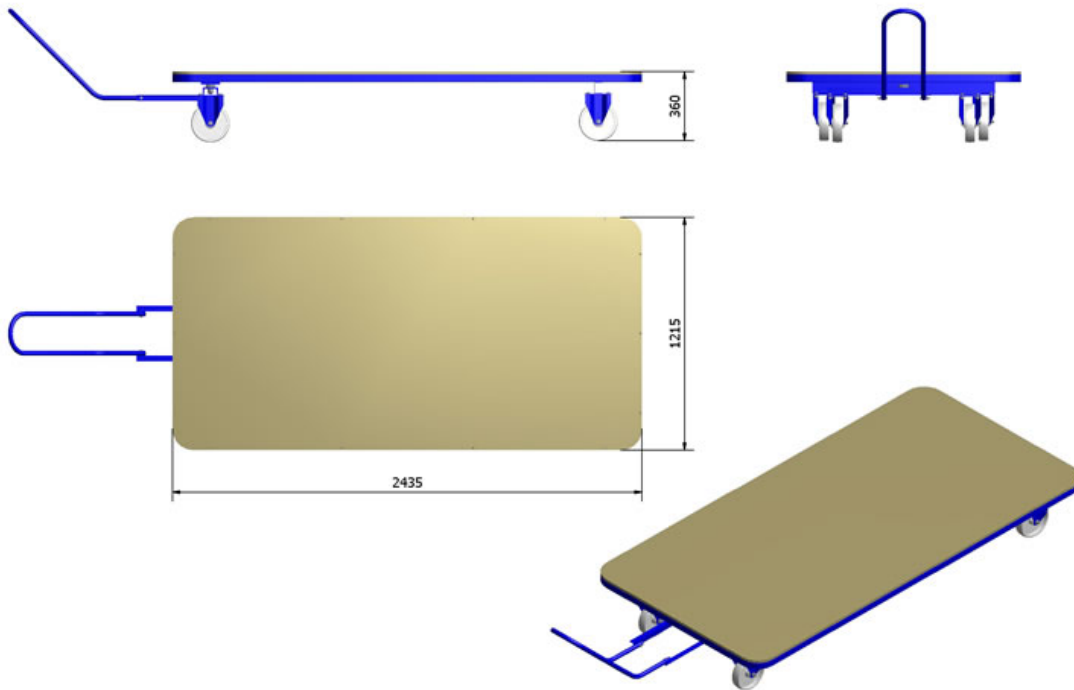
RED

WEIGHT

General Transport Trolley manual traction AV120
General Transport Trolley mechanical traction AV125

Weight
94 kg
70 kg

DIMENSIONS



ACCESSORIES

Accessories for: General Transport Trolley manual traction AV120

Accessories for: General Transport Trolley mechanical traction AV125

Parts: carts coupling ball AC0090A0090