



Pole Vault Crossbar

AE225 - AE220

Manufactured using the most advanced fibreglass moulding techniques; the high jump crossbar is designed and manufactured in accordance with, and certified under, the Regulations of the International Federation (IAAF Certificate E-12-0679).

It is made of fibreglass with a 30 mm circular cross section, 4.50 m long

The support points at both ends comply with current rules.

VARIANTS

Pole Vault Crossbar (MONDO) AE225

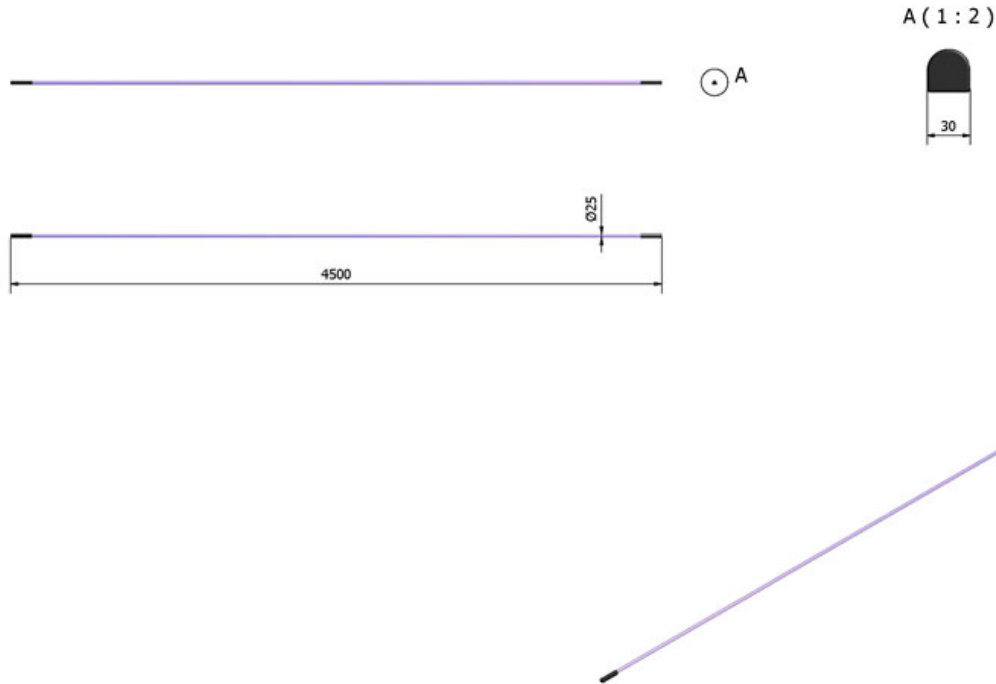
Pole Vault Crossbar AE220

WEIGHT

Pole Vault Crossbar (MONDO) AE225
Pole Vault Crossbar AE220

Weight
2,5 kg
kg

DIMENSIONS



COMPLEMENTS

Complements for: Pole Vault Crossbar (MONDO) AE225

Pole Vault Electric Powered Standard AE120
Pole vault manual standard (set of 2) AE110
Pole vault manual standard (set of 2) AE110

Complements for: Pole Vault Crossbar AE220

Pole Vault Electric Powered Standard AE120
Pole vault manual standard (set of 2) AE110
Pole vault manual standard (set of 2) AE110

ACCESSORIES

Accessories for: Pole Vault Crossbar (MONDO) AE225

Pole vault measuring device AE200
Pole vault crossbar telescopic lifter (set of 2) (set of 2) AE210T
Pole vault crossbar telescopic lifter (set of 2) (set of 2) AE210T
Pole vault measuring device AE205
Pole vault measuring device AE205

Accessories for: Pole Vault Crossbar AE220

Pole vault measuring device AE200
Pole vault crossbar telescopic lifter (set of 2) (set of 2) AE210T
Pole vault crossbar telescopic lifter (set of 2) (set of 2) AE210T
Pole vault measuring device AE205
Pole vault measuring device AE205