

MONDOSEAT NOVANTA/3.40





STRUCTURE

Multipurpose seat with high backrest sized for the utmost comfort and in line with FIFA and UEFA recommendations. Seat in single piece injection moulded thermoplastic without metal inserts.

Ergonomically designed for the utmost comfort for sport events' spectators.

Watch the video that tells how this model is produced: [click here.](#)

COLOR RANGE



RAL 5015



RAL 5017



RAL 5005



RAL 3001



RAL 2009



RAL 1003



RAL 5018



RAL 6029



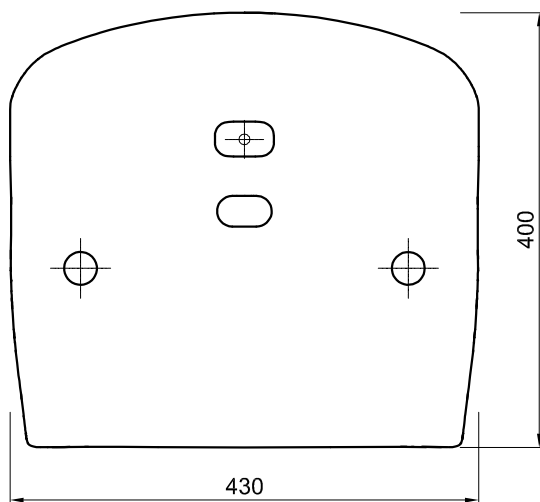
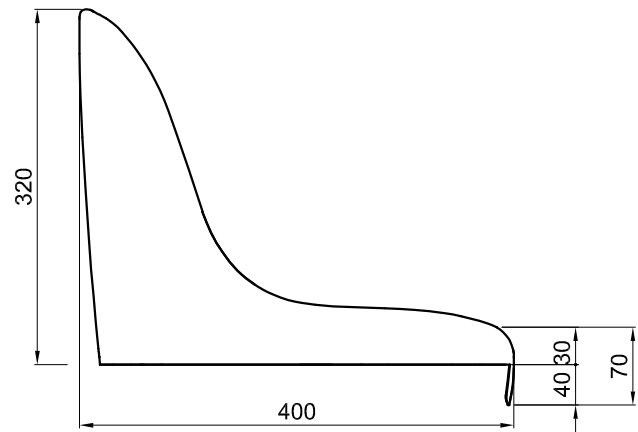
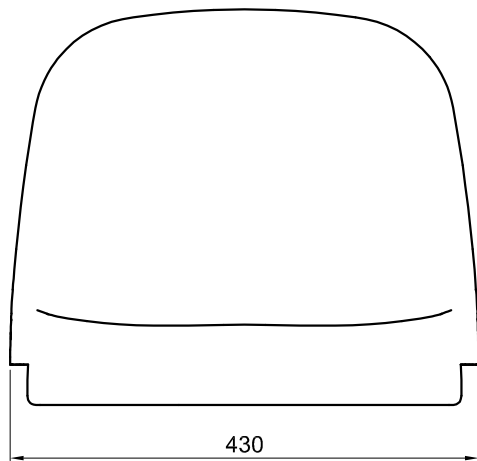
RAL 9010



RAL 7001



RAL 9017





TECHNICAL DATA

MONDOSEAT NOVANTA/3.40

REV. 4 - 05/2019

GENERAL PROPERTIES	TEST METHODS	UNIT OF MEASURE	VALUES FROM MANUFACTURING CONTROLS
Material	-	-	Colored polypropylene in the mass with copolymer masterbatch
Finishing	-	-	Smooth and semi-gloss with light-resistance treatment
Fire reaction	D.M. 26/06/84	class	1
Fire reaction	NF P 92-501	class	M2
Ignitability	BS 5852	CRIB5	in conformity
Calorific value	ISO 1716	MJ/Kg	45,9
Safety, reistance and durability requirements	EN 12727	level	4
FIFA conformity	FIFA Stadium Safety and Security Regulations	-	in conformity
UEFA conformity	UEFA Stadium Infrastructure Regulation	-	in conformity



TECHNICAL DATA

MONDOSEAT NOVANTA/3.40 - Standard Version

REV. 2 - 05/2019

Standard Version

GENERAL PROPERTIES	TEST METHODS	UNIT OF MEASURE	VALUES FROM MANUFACTURING CONTROLS
Material	-	-	Colored polypropylene in the mass with copolymer masterbatch
Finishing	-	-	Smooth and semi-gloss with light-resistance treatment
Safety, resistance and durability requirements	EN 12727	level	4
FIFA conformity	FIFA Stadium Safety and Security Regulations	-	in conformity
UEFA conformity	UEFA Stadium Infrastructure Regulation	-	in conformity